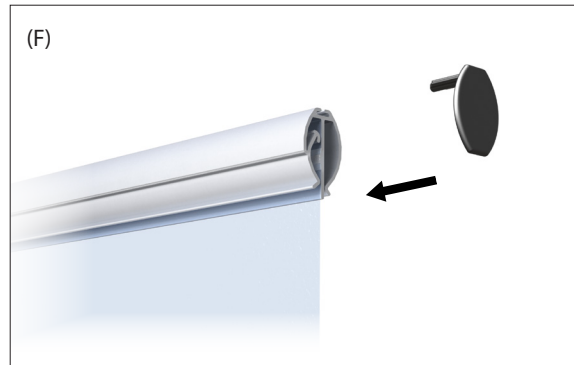
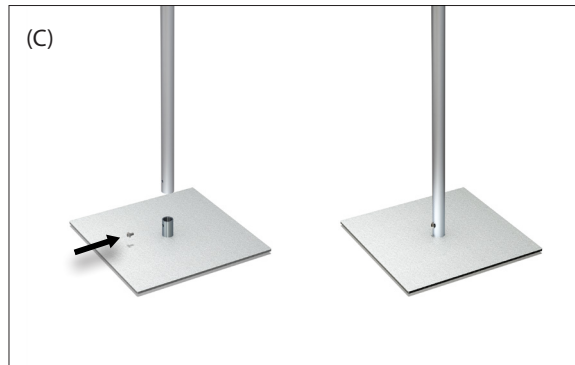
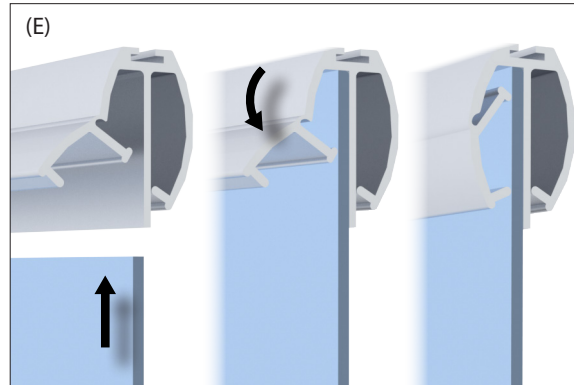
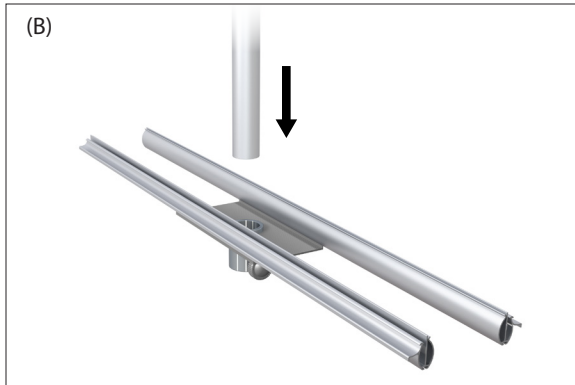
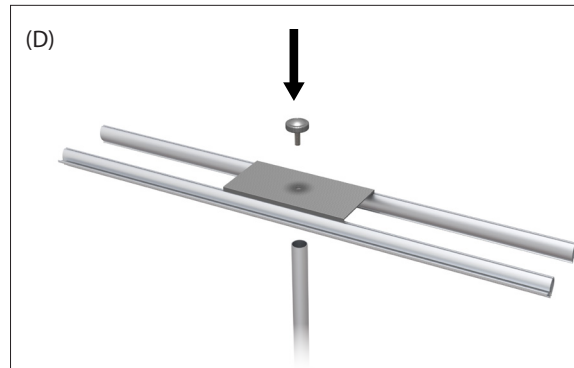
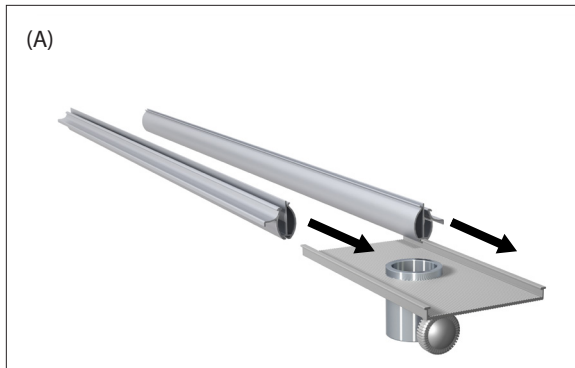


Banner Stands (GCO GripGraphic™)

1. Slide GripGraphic™ bars into bottom and upper sleek holder (fig. A).
2. Slide bottom holder onto largest diameter pole and secure with knob (fig. B).
3. Mount pole to base sleeve using screw provided (fig. C).
4. Screw top holder onto top of pole using knob (fig. D).
5. Insert graphic into GripGraphic™ bars and snap handles (fig. E).
6. Insert endcaps into bars (fig. F).



Applicable Products:

GCOBS

